



COLOUR 5 PROFILE™

SKU# CLP001

The new Colour 5 Profile™ Ellipsoidal features a 180W RGBAM (Red, Green, Blue, Amber, Mint) LED engine, >94CRI, 4,100 total lumens (with 26° lens), with 19°, 26°, 36°, and 50° interchangeable lens options (sold separately), (4) blade manual framing shutters, supports B size metal or HT transparency gobos, manual focus, DMX controlled electronic strobe, dimming, and dimming curves, flicker free operation for TV and FILM, adjustable refresh frequency and gamma brightness, 5pin DMX and Locking Power Cable in/out connections, (4) button LCD control display panel, an integrated rigging yoke, quiet fan cooling, and a multi-voltage universal auto switching power supply (100-240v).



FEATURES

180W RGBAM (Red/Green/Blue/Amber/Mint) LED Engine

>94CRI 4,100 Total Lumens*

Interchangeable Lens Options 19°, 26°, 36°, 50°**

(4) Blade Manual Framing Shutters

Supports B Size Metal or HT Transparency Gobos***

Electronic Strobe and Variable Dimming Curves

Flicker Free Operation for TV and FILM

Adjustable Refresh Frequency and Gamma Brightness

Quiet Fan Cooling

(*with 26° lens) (**sold separately)(***gobos and holder not included)



ELATION | COLOUR 5 PROFILE™ | Product Specification Sheet

Specifications are subject to change without notice ©Elation Professional 2/18/16

Elation Professional USA | 6122 S. Eastern Ave. | Los Angeles, CA. 90040
323-582-3322 | 323-832-9142 fax | www.elationlighting.com | info@elationlighting.com

Elation Professional B.V. | Junostraat 2 | 6468 EW Kerkrade, Netherlands
+31 45 546 85 66 | +31 45 546 85 96 fax | www.elationlighting.eu | info@elationlighting.eu

PRODUCT SPECIFICATIONS

SOURCE

180W RGBAM (Red/Green/Blue/Amber/Mint) LED Engine
50,000 Hour Average LED Life*

*LED Life may vary depending on several factors including but not limited to: Environmental Conditions, Power/Voltage, Usage Patterns (On-Off Cycling), Control and Dimming.

PHOTOMETRIC DATA

>94CRI 4,100 Total Lumens*

(*with 26° lens)

EFFECTS

Electronic Strobe and Dimming
Variable Dimming Curve Modes

GOBOS

Supports "B" Size Metal, HT Transparency Gobos*
*Gobos and Holder not included.

CONTROL / CONNECTIONS

(5) DMX Channel Modes (5 / 6 / 8 / 13 / 19)
Adjustable Refresh Rate (900-1500, 25,000 Hz)
Adjustable Gamma Brightness (2.0, 2.2, 2.4, 2.8)
4 Button Control Panel / LED Menu Display
5pin DMX In/Out / Locking Power Cable In/Out

SIZE / WEIGHT

Length: 24.3" (618mm) / 26.5" (674mm) Fully Extended
Width: 12.2" (310mm)
Vertical Height: 15.7" (398mm)
Weight: 21.0 lbs. (9.5 kg)

ELECTRICAL / THERMAL

Quiet Fan Cooling
AC 100-240V - 50/60Hz
225W Max Power Consumption
14° to 113°F (-10° to 45°C)
BTU/hr (+/- 10%) 767.25

APPROVALS / RATINGS

CE | cETLus | IP20



INSTALLATION

Rigging: Intergrated Yoke
Working Position: Any (360°)

INCLUDED ITEMS

- (1) Locking Power Cable
- (1) 5PIN DMX Cable

LENS Options (sold separately)

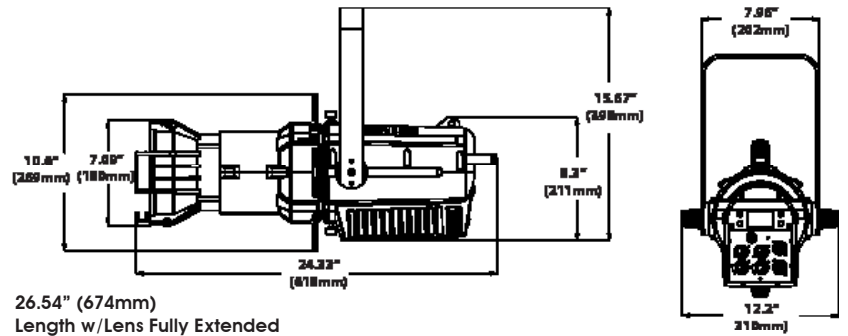
19°, 26°, 36°, 50°



PHOTOMETRIC DATA

		19° LENS		26° LENS		36° LENS		50° LENS				
		m	ft	m	ft	m	ft	m	ft			
Diameter	2.5	8.2	5	16.4	7.5	24.6	10	32.8	15	49.2	20	65.6
	0.8	2.6	1.6	5.2	2.4	7.9	3.2	10.5	4.8	15.7	6.4	21.0
RED	lux	fc	lux	fc	lux	fc	lux	fc	lux	fc	lux	fc
	550	51	132	12	60	6	32	3	16	1	9	1
GREEN	lux	fc	lux	fc	lux	fc	lux	fc	lux	fc	lux	fc
	1,420	132	335	31	148	14	82	8	41	4	24	2
BLUE	lux	fc	lux	fc	lux	fc	lux	fc	lux	fc	lux	fc
	420	39	99	9	46	4	26	2	12	1	7	1
AMBER	lux	fc	lux	fc	lux	fc	lux	fc	lux	fc	lux	fc
	418	39	98	9	43	4	24	2	12	1	7	1
MINT	lux	fc	lux	fc	lux	fc	lux	fc	lux	fc	lux	fc
	8,028	746	1,900	177	830	77	470	44	220	20	135	13
FULL	lux	fc	lux	fc	lux	fc	lux	fc	lux	fc	lux	fc
	10,270	954	2,450	228	1,110	103	620	58	301	28	180	17

DIMENSIONAL DIAGRAM



OPTIONAL ACCESSORIES

ORDER CODE	ITEM
TRIGGER CLAMP	Heavy Duty Wrap Around Hook Style Clamp
PHD019	Profile High Definition Lens 19°
PHD126	Profile High Definition Lens 26°
PHD236	Profile High Definition Lens 36°
PHD350	Profile High Definition Lens 50°
PLC3	3 ft. (1m) Locking Power Link Cable
AC5PDMX5PRO	5 ft. (1.5m) 5pin PRO DMX Cable
	Additional Cable Lengths Available

